



QV2

FLAT PANELS

ADHESIVE

RAINSCREEN

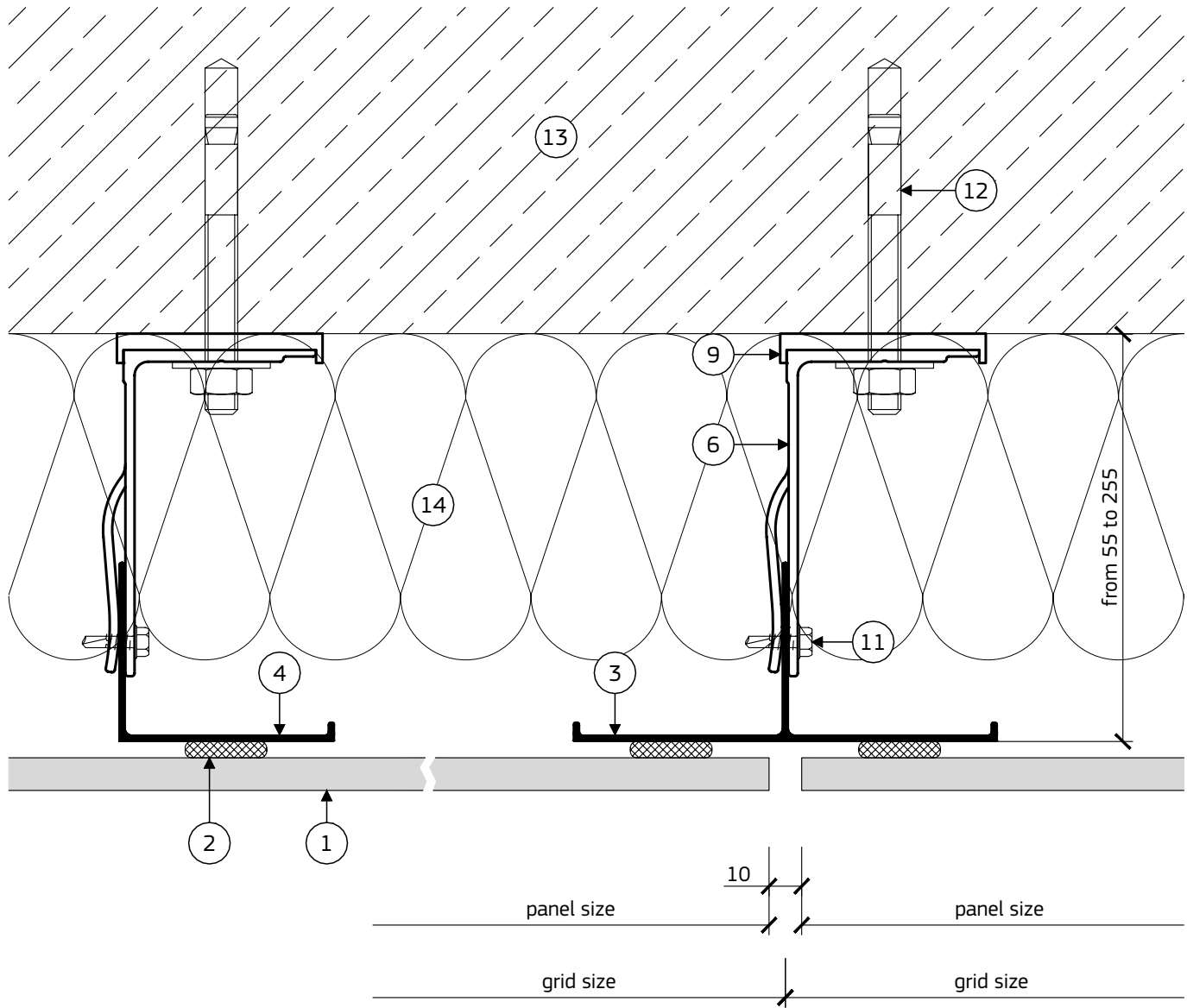
SYSTEM

USING QVB WALL BRACKETS

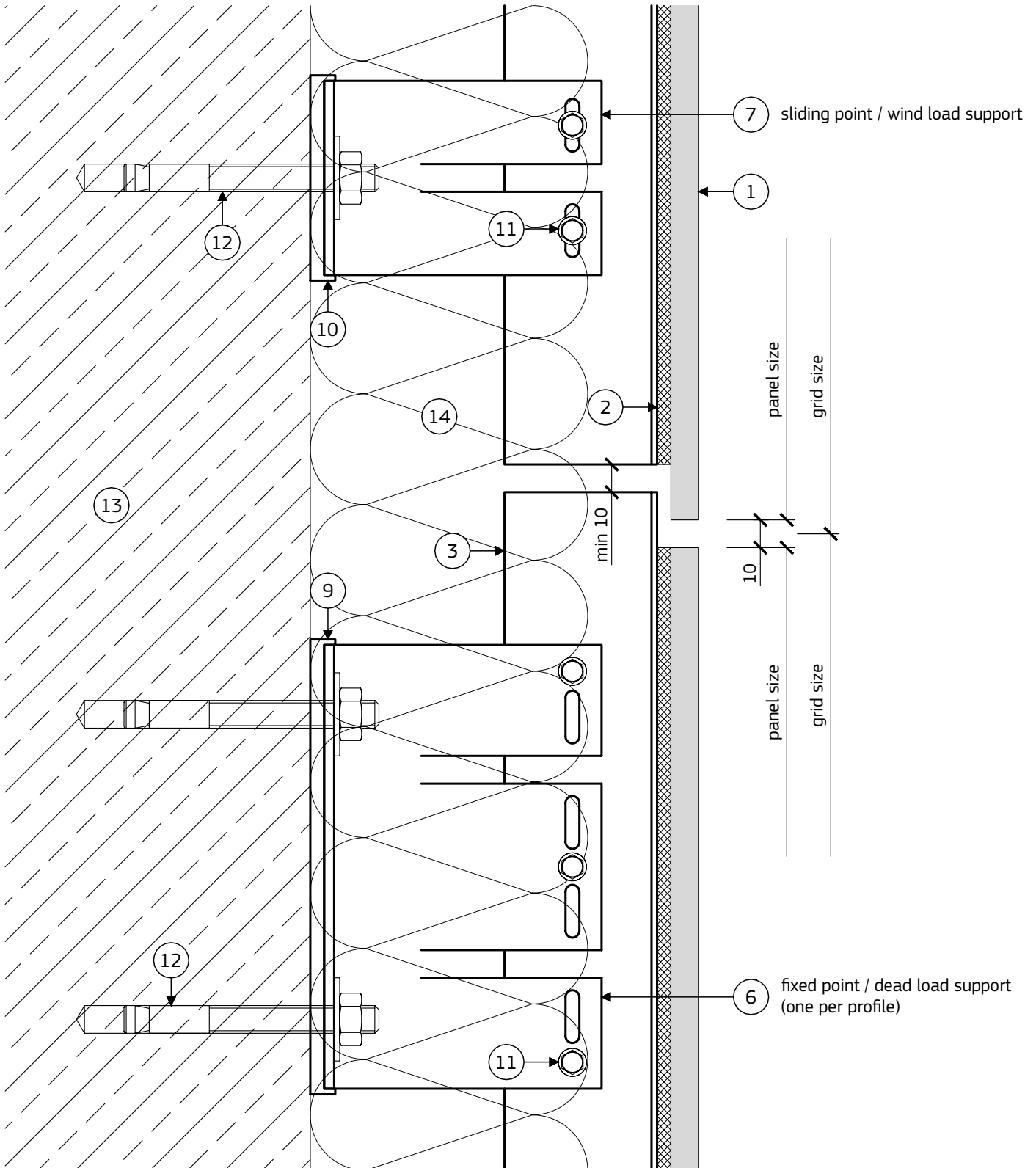
LEGEND

- ① FLAT PANEL
- ② ADHESIVE SYSTEM
- ③ PROFILE T130x55x2 *art.No 01.2.130552.xxx*
- ④ PROFILE L66x55x2 *art.No 01.1.66552.xxx*
- ⑤ PROFILE L66x66x2 *art.No 01.1.66662.xxx*
- ⑥ WALL BRACKET QVB 100/160, FIXED POINT *art.No 02.100.160.10*
- ⑦ WALL BRACKET QVB 100/70, SLIDING POINT *art.No 02.100.70.10*
- ⑧ WALL BRACKET QVB 50/70, SLIDING POINT *art.No 02.50.70.10*
- ⑨ THERMO-PAD 160x59 *art.No 05.59.160*
- ⑩ THERMO-PAD 70x59 *art.No 05.59.70*
- ⑪ SELF-DRILLING SCREW Ø4.8x16 mm, A2
- ⑫ FASTENER
- ⑬ CONCRETE / MASONRY WALL
- ⑭ INSULATION
- ⑮ WINDOW SYSTEM
- ⑯ METAL TRIM / FLASHING / COPING
- ⑰ PERFORATED ALUMINUM SHEET

1.1 PLAN DETAIL

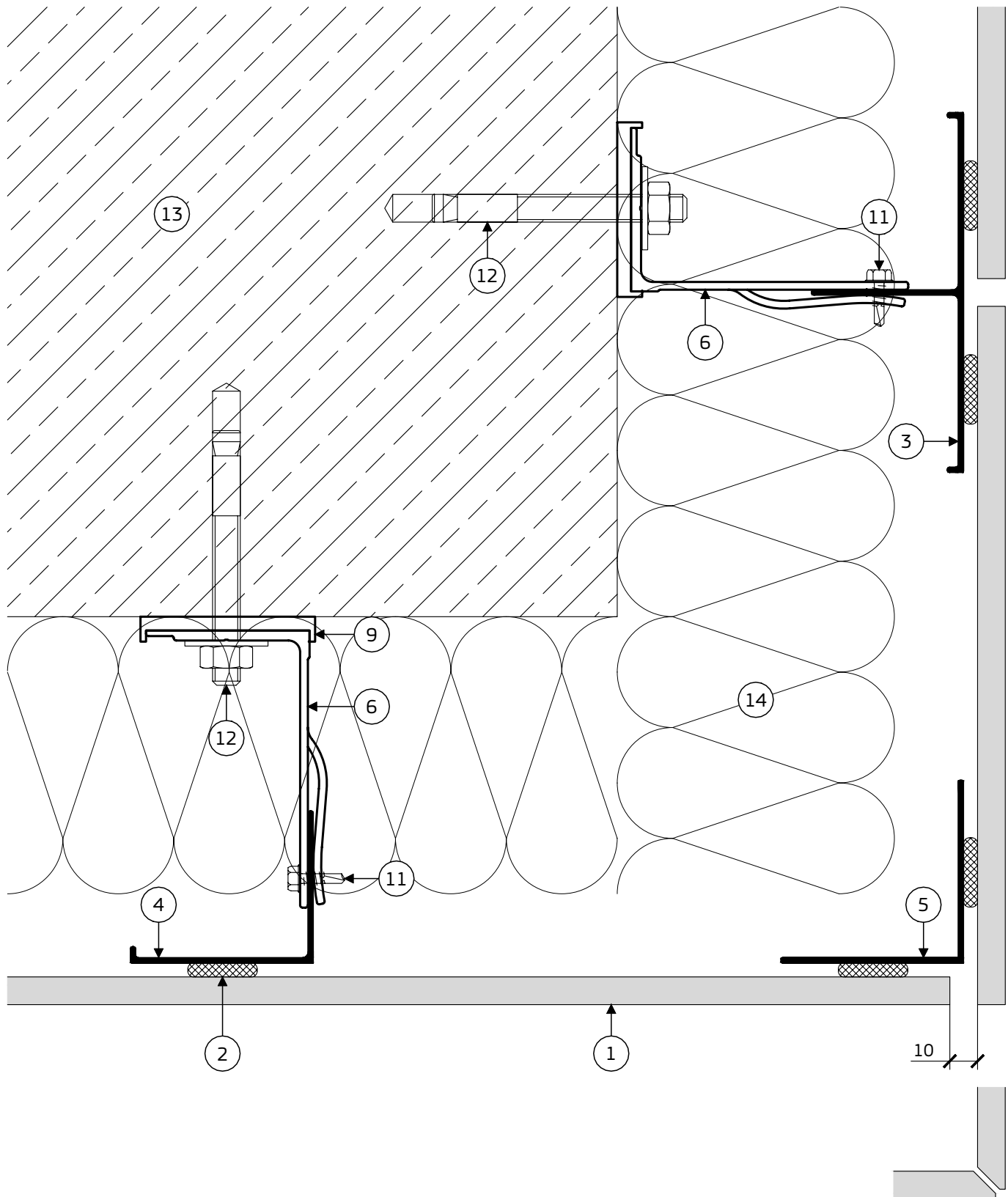


2.1 SECTION DETAIL

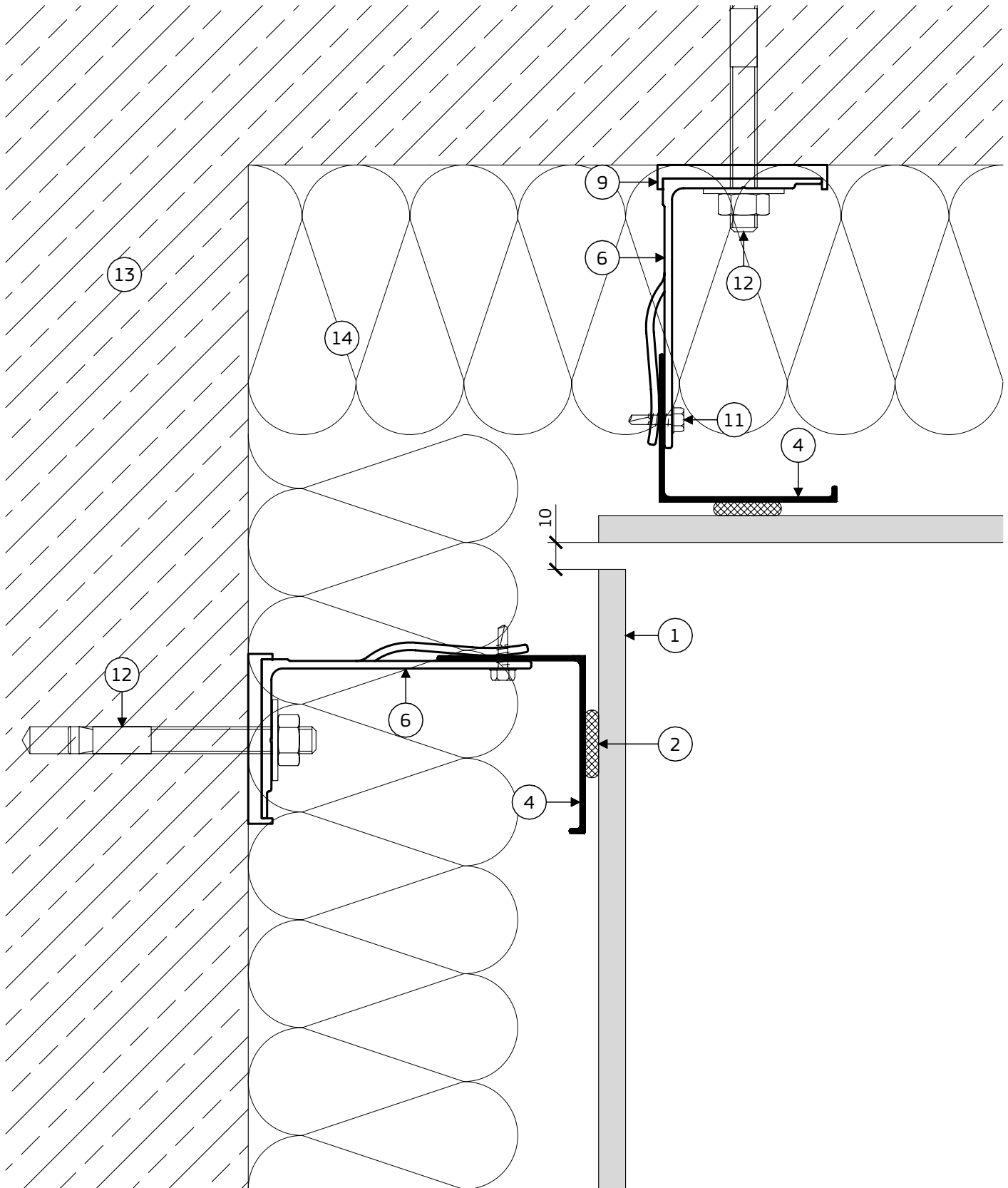


The profiles should be fixed using normal clearance holes (fixed point) and allowed to expand using slotted holes (sliding points), considering the fastener to fall at the center of the hole.

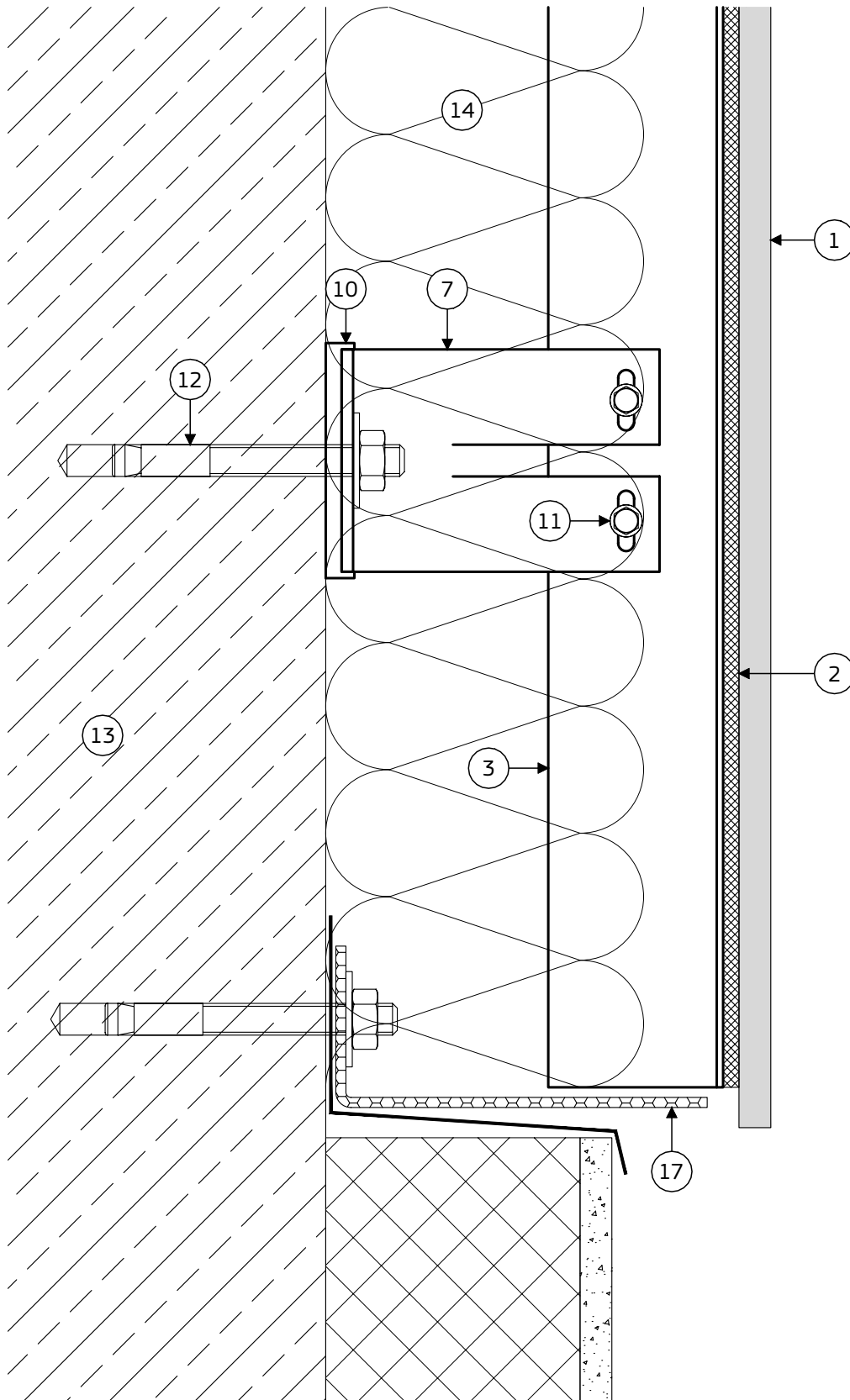
3.1 PLAN DETAIL - OUTSIDE CORNER



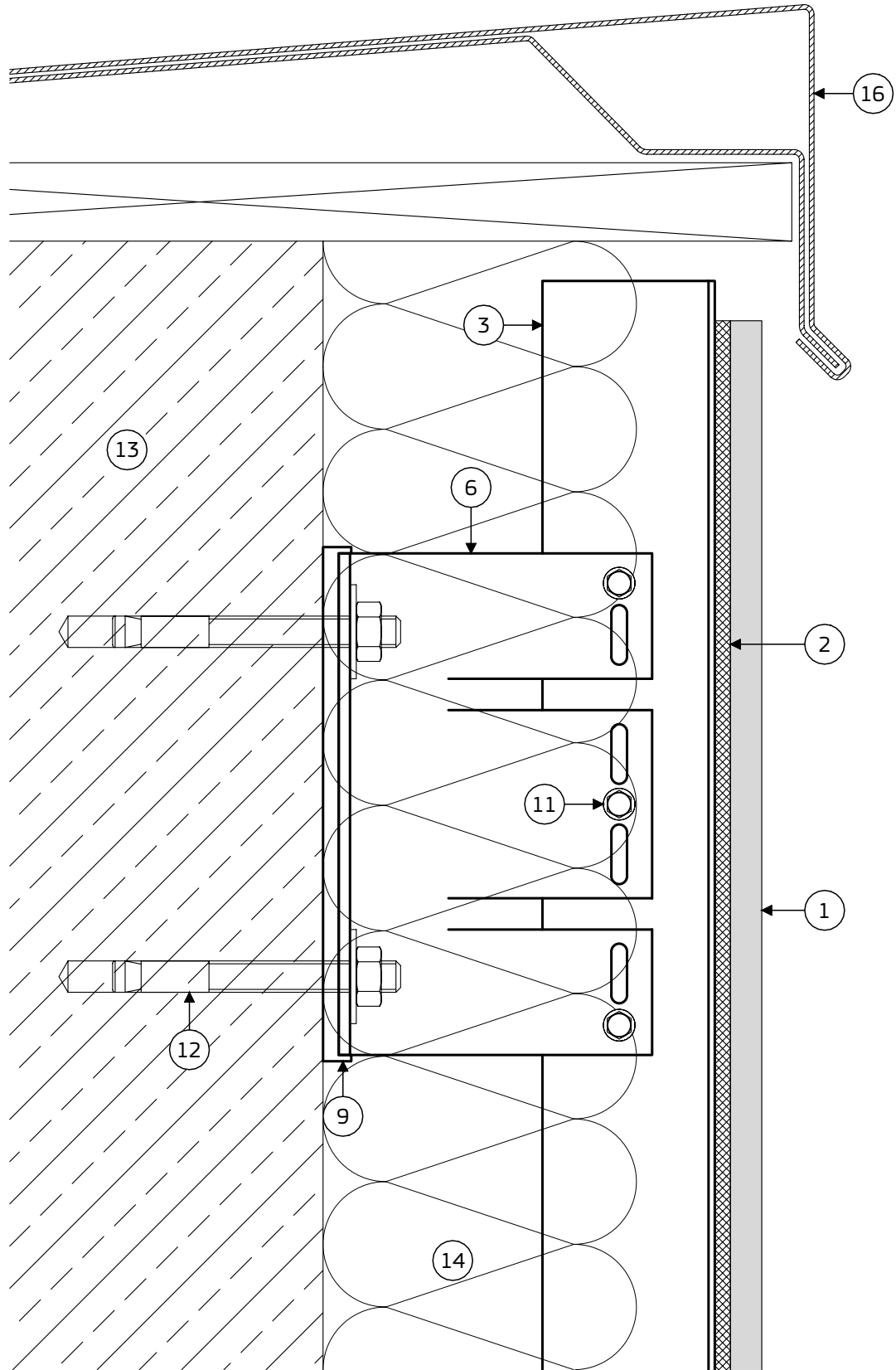
4.1 PLAN DETAIL - INSIDE CORNER



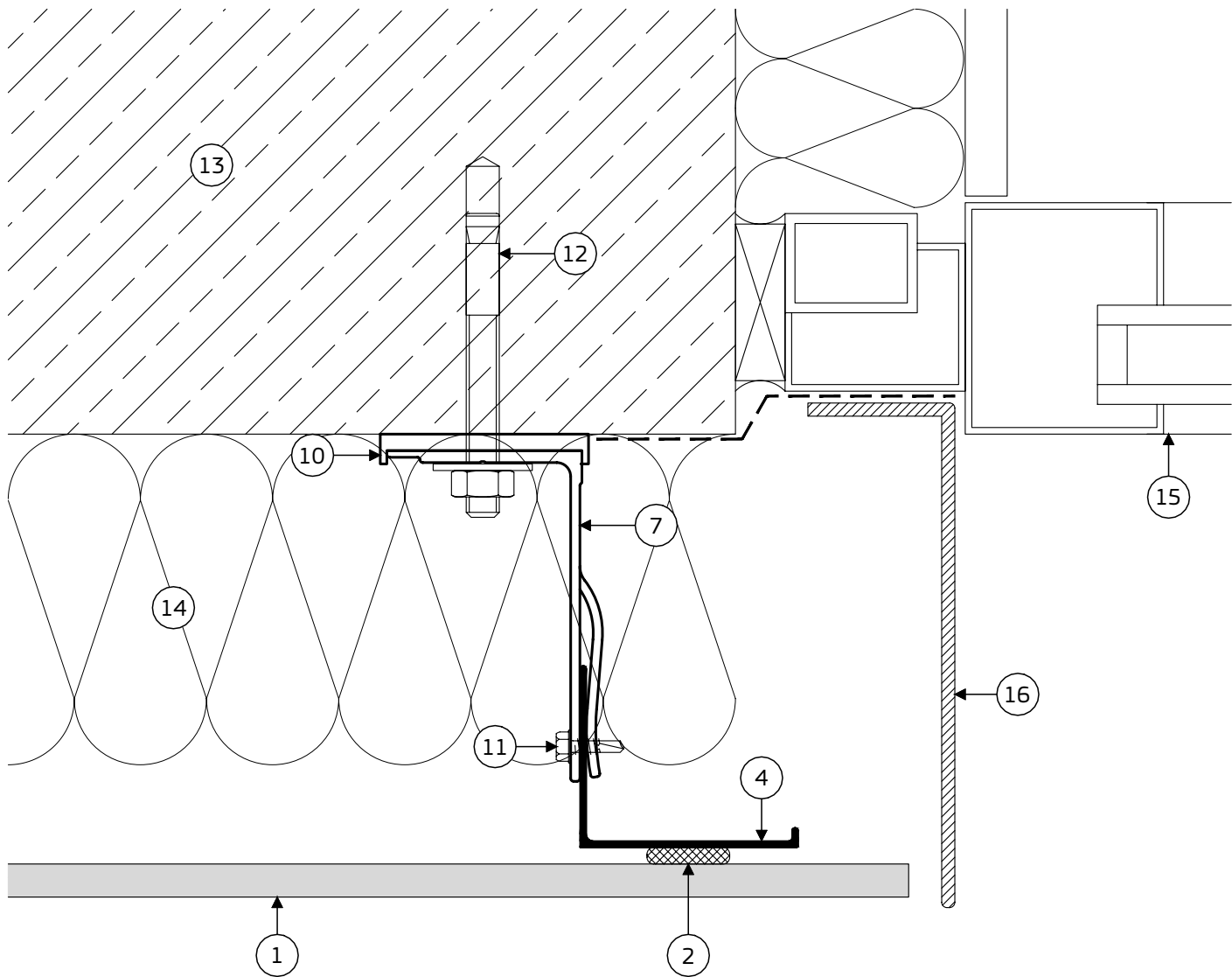
5.1 SECTION DETAIL - BASE



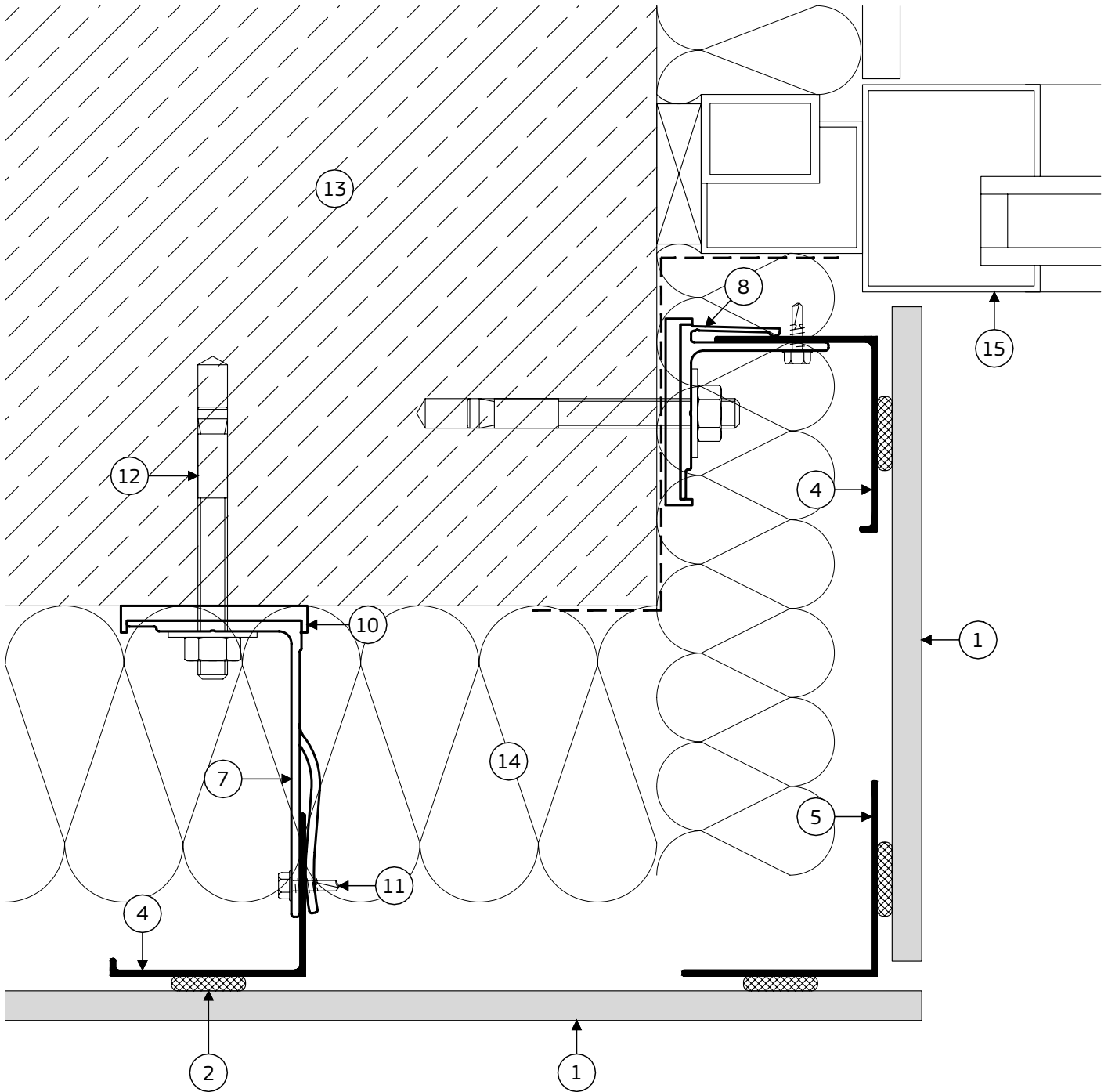
6.1 SECTION DETAIL - PARAPET



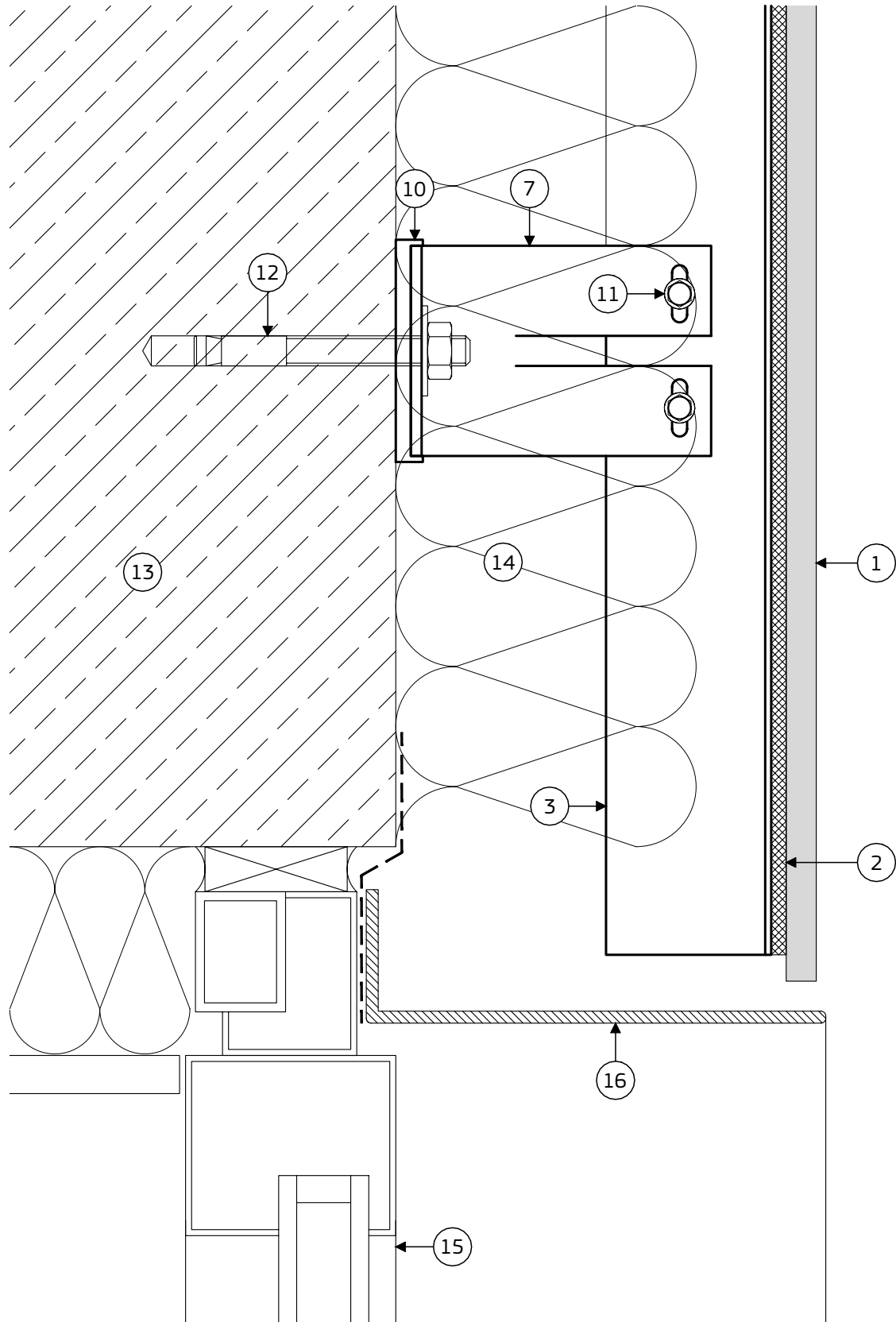
7.1 PLAN DETAIL - WINDOW JAMB



7.2 PLAN DETAIL - WINDOW JAMB



8.1 SECTION DETAIL - WINDOW HEAD



9.1 SECTION DETAIL - WINDOW SILL

