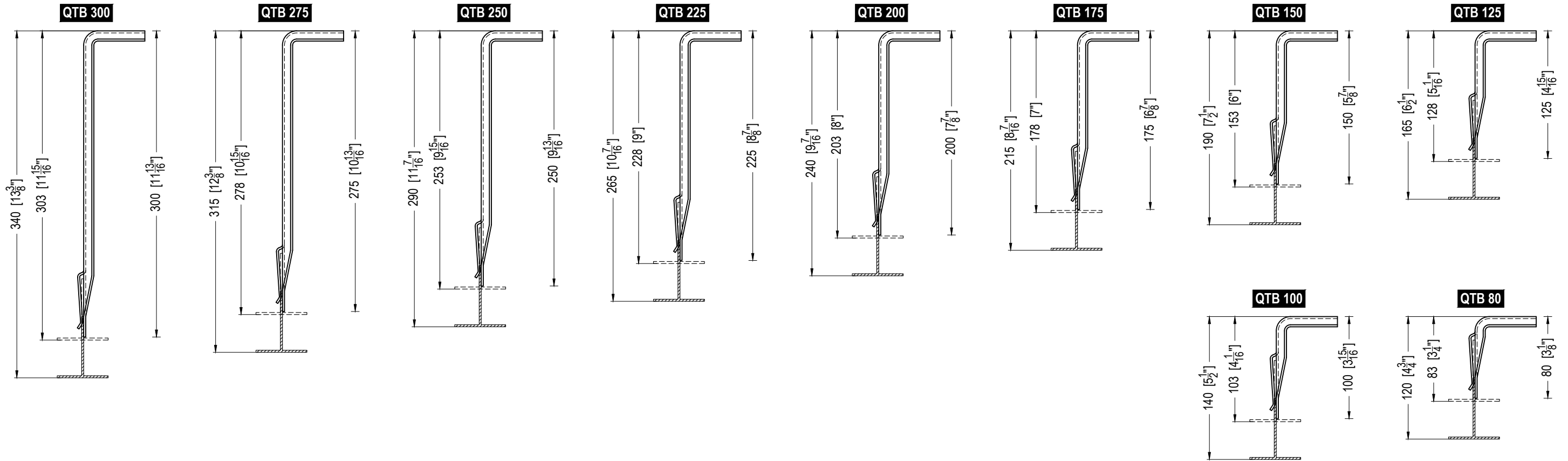


AVAILABLE LENGTHS & RANGE OF ADJUSTMENT

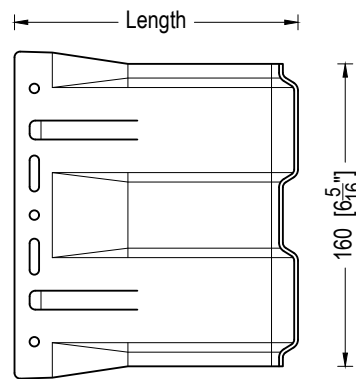


WALL BRACKET CONFIGURATIONS

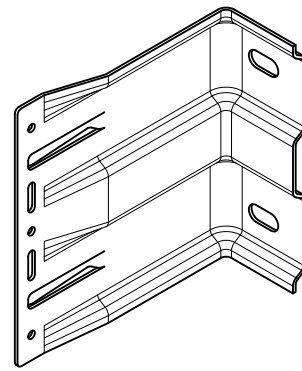
DOUBLE BRACKET

Usually used for fixed point / dead load support - absorbs dead load and part of wind load.

Fasteners at the fixed point must be installed in the round holes.

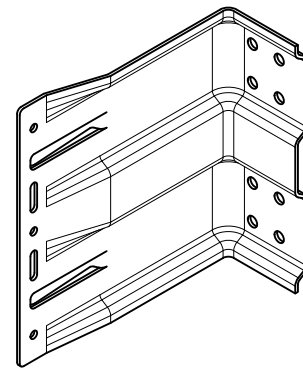


Holes for Ø10 [3/8" dia.] fasteners suitable for concrete/masonry walls



Item No: 02.4.length.160.10

Holes for Ø6.3 [1/4" dia.] fasteners suitable for stud walls

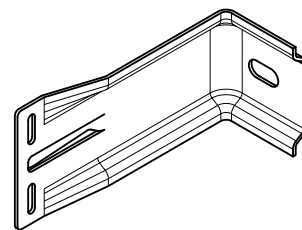
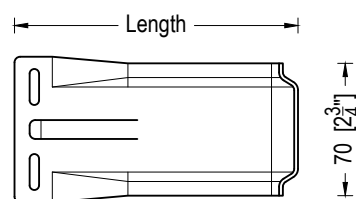


Item No: 02.4.length.160.63

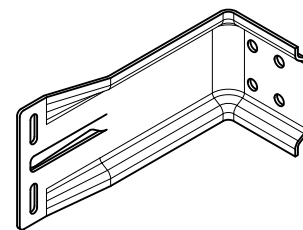
SINGLE BRACKET

Used for sliding point / wind load support only - absorbs wind load and thermal movement of the profile.

Fasteners at the sliding point must be installed centered on the slotted hole to allow the profile to expand/contract freely.



Item No: 02.4.length.70.10



Item No: 02.4.length.70.63

A minimum 20 mm [3/4"] overlap between the bracket and the profile is required.

All adjustment dimensions are based on a 60 mm [2 3/8"] deep vertical profile.

Material 1.4404 (AISI 316L) stainless steel

For the profile-to-bracket connection self-drilling screws Ø4.8x19 mm [#10-16x3/4"] shall be used.

All fasteners should be A2 (304) stainless steel or as recommended by the manufacturer for fasteners exposed to weather.

Project-specific wall brackets can be supplied upon request.

QTB
stainless
steel
brackets

Q-VENT