



Q-CLOUD

GLASS PANELS

ADHESIVE

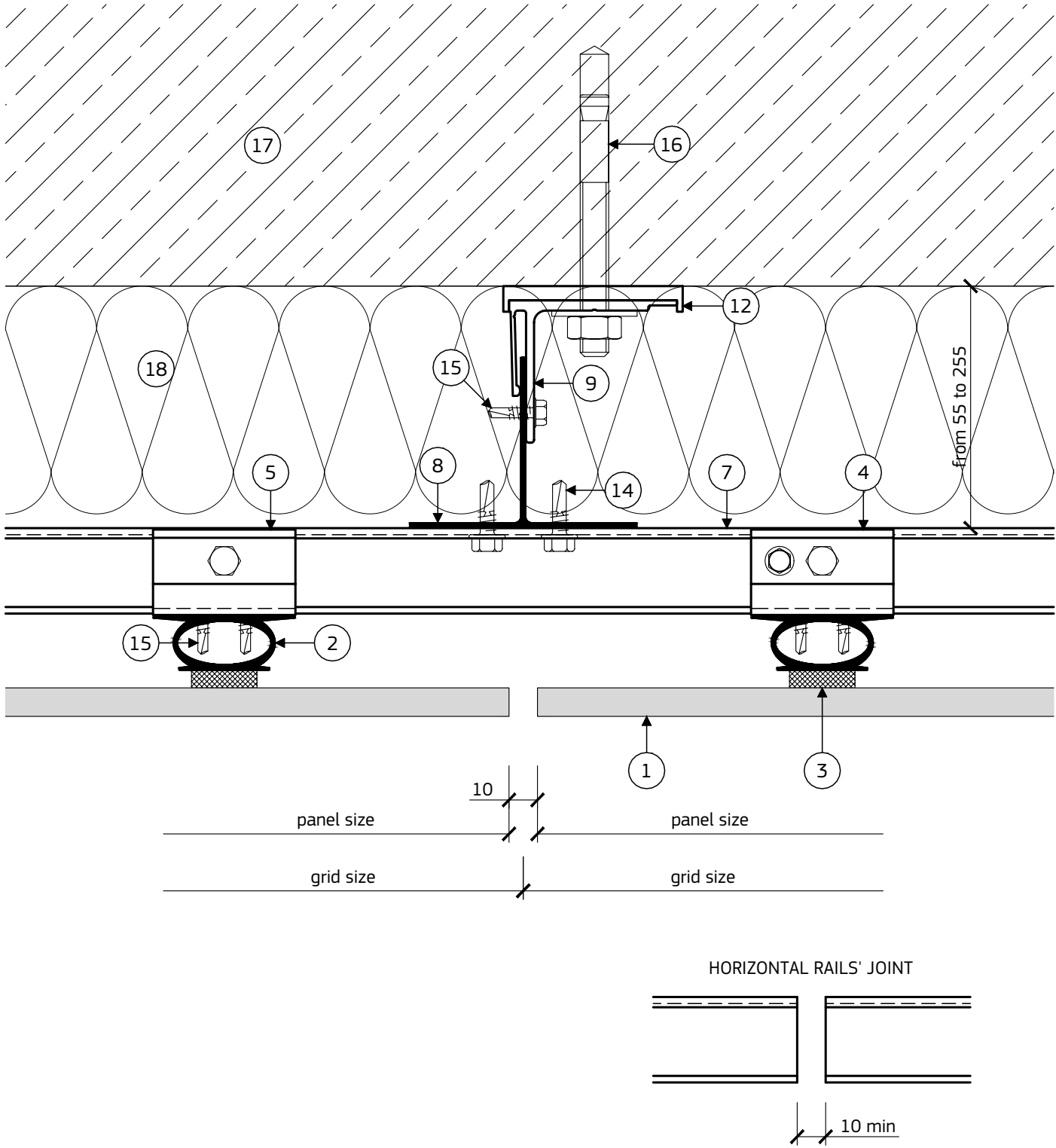
RAINSCREEN

SYSTEM

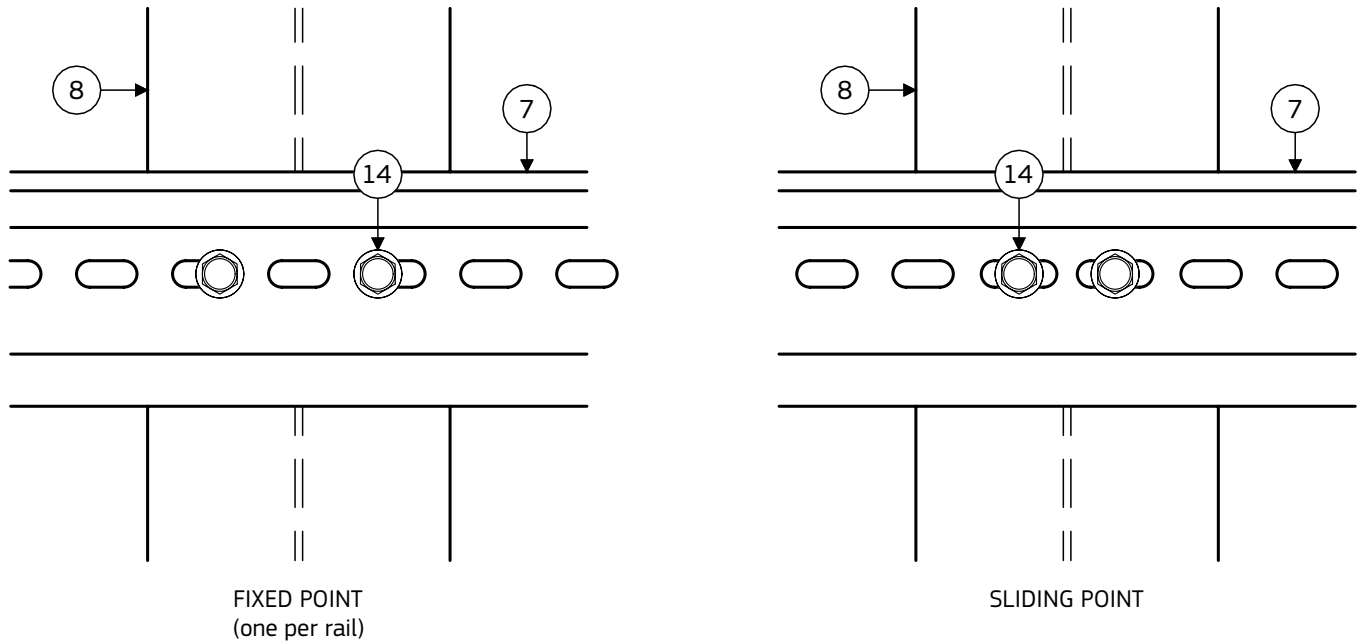
LEGEND

- ① GLASS PANEL
- ② Q-CLOUD RAIL *art.No 06.9.xxx*
- ③ ADHESIVE SYSTEM
- ④ ADJUSTABLE HANGER FIXED POINT, SET *art.No 06.301.52.50*
- ⑤ ADJUSTABLE HANGER SLIDING POINT, SET *art.No 06.302.52.50*
- ⑥ HANGER SLIDING POINT, *art.No 06.303.52.50*
- ⑦ HORIZONTAL RAIL, SLOTTED HOLES *art.No 06.3.631.xxx*
- ⑧ PROFILE T80x60x2 *art.No 01.2.80602.xxx*
- ⑨ WALL BRACKET QVB 50/160, FIXED POINT *art.No 02.50.160.10*
- ⑩ WALL BRACKET QVB 50/70, SLIDING POINT *art.No 02.50.70.10*
- ⑪ WALL BRACKET QVB 125/70, SLIDING POINT *art.No 02.125.70.10*
- ⑫ THERMO-PAD 160x59 *art.No 05.59.160*
- ⑬ THERMO-PAD 70x59 *art.No 05.59.70*
- ⑭ SELF-DRILLING SCREW Ø6.3x19 mm, A2
- ⑮ SELF-DRILLING SCREW Ø4.8x16 mm, A2
- ⑯ FASTENER
- ⑰ CONCRETE
- ⑱ INSULATION
- ⑲ WINDOW SYSTEM
- ⑳ METAL TRIM / FLASHING / COPING
- ㉑ PERFORATED ALUMINUM SHEET

1.1 PLAN DETAIL

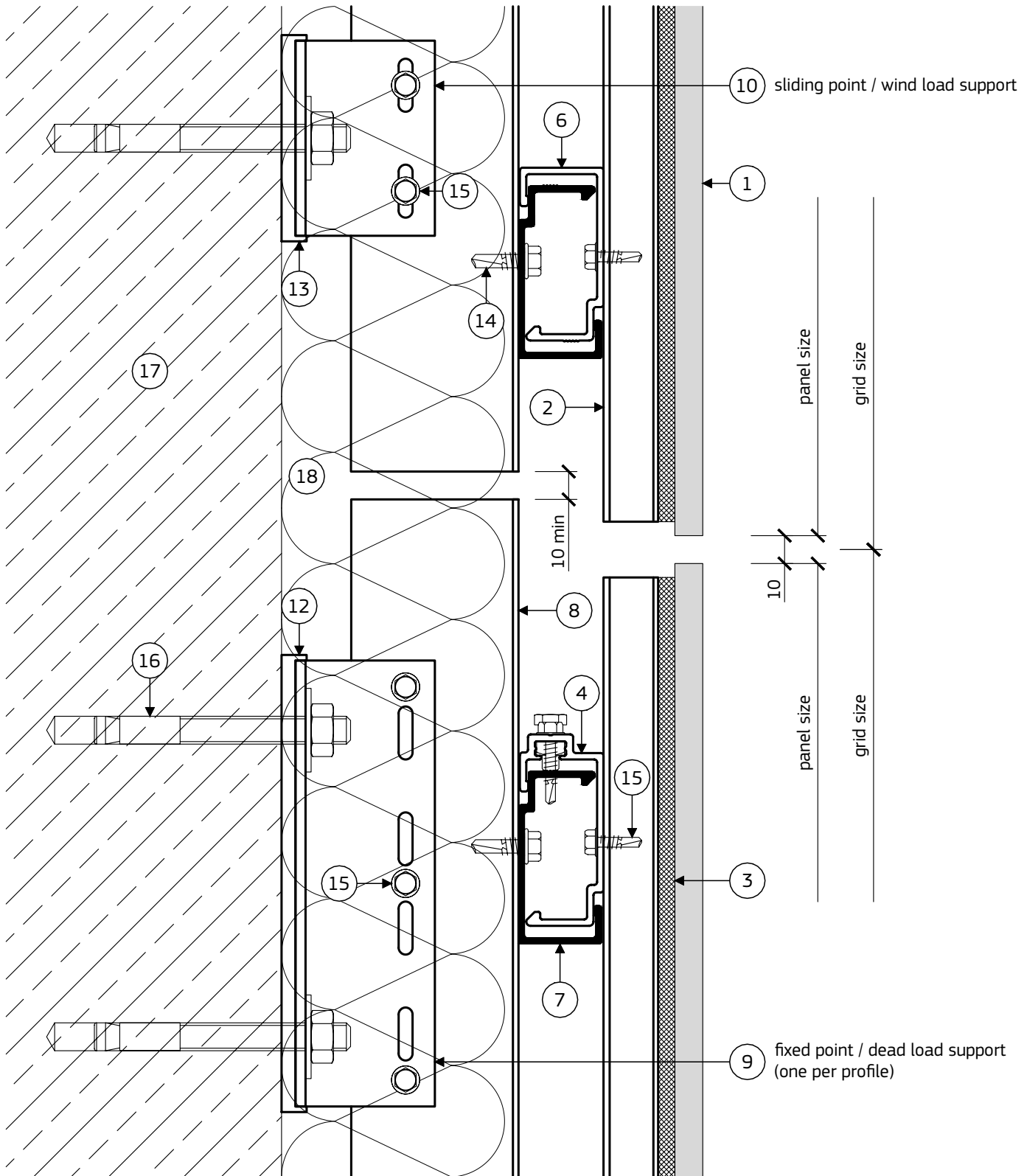


INSTALLATION DIAGRAM



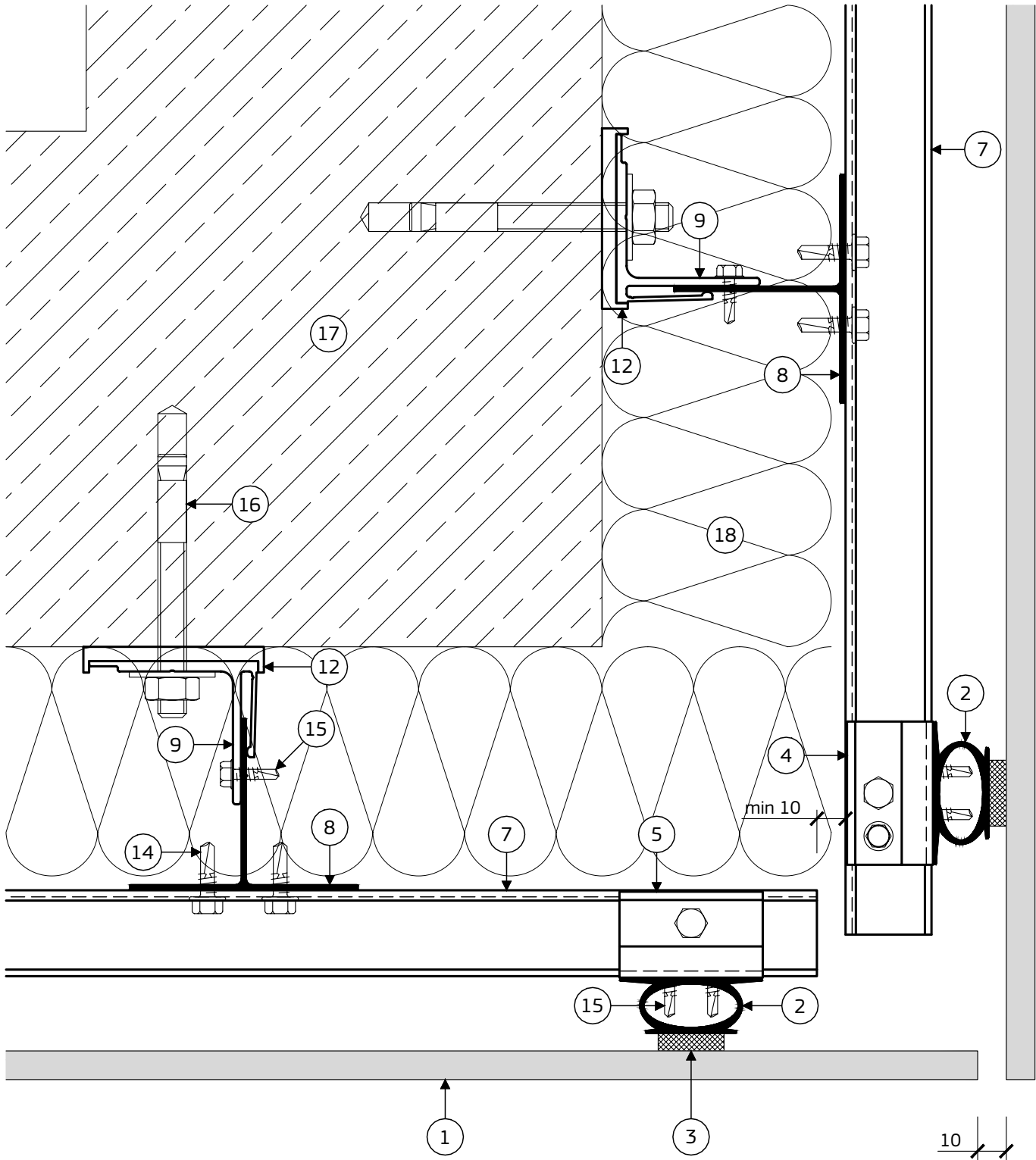
The rails should be fixed at mid-length (fixed point) and allowed to expand toward the ends using slotted holes (sliding points), considering the fastener to fall at the center of the hole.

2.1 SECTION DETAIL

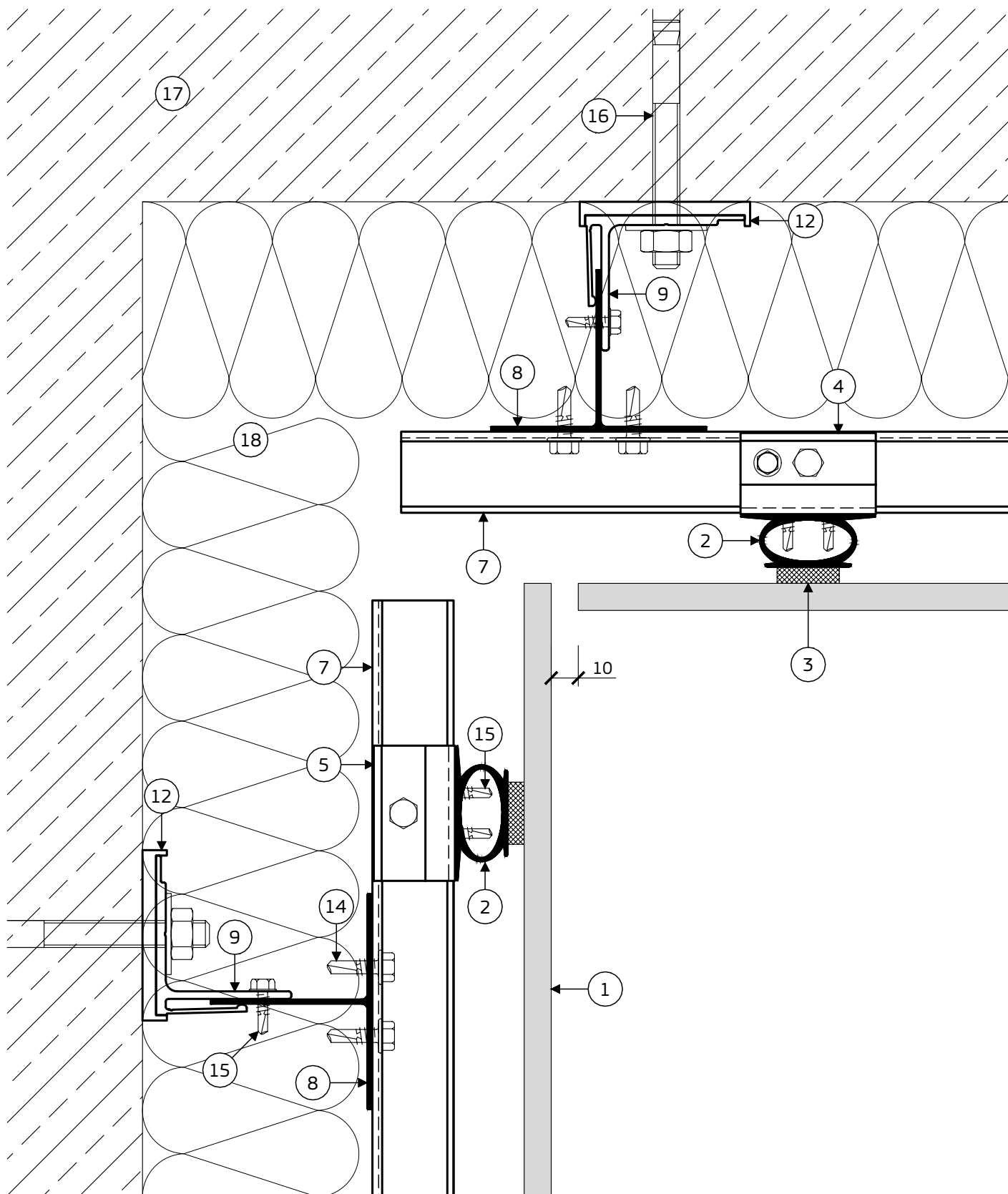


The profiles should be fixed using normal clearance holes (fixed point) and allowed to expand using slotted holes (sliding points), considering the fastener to fall at the center of the hole.

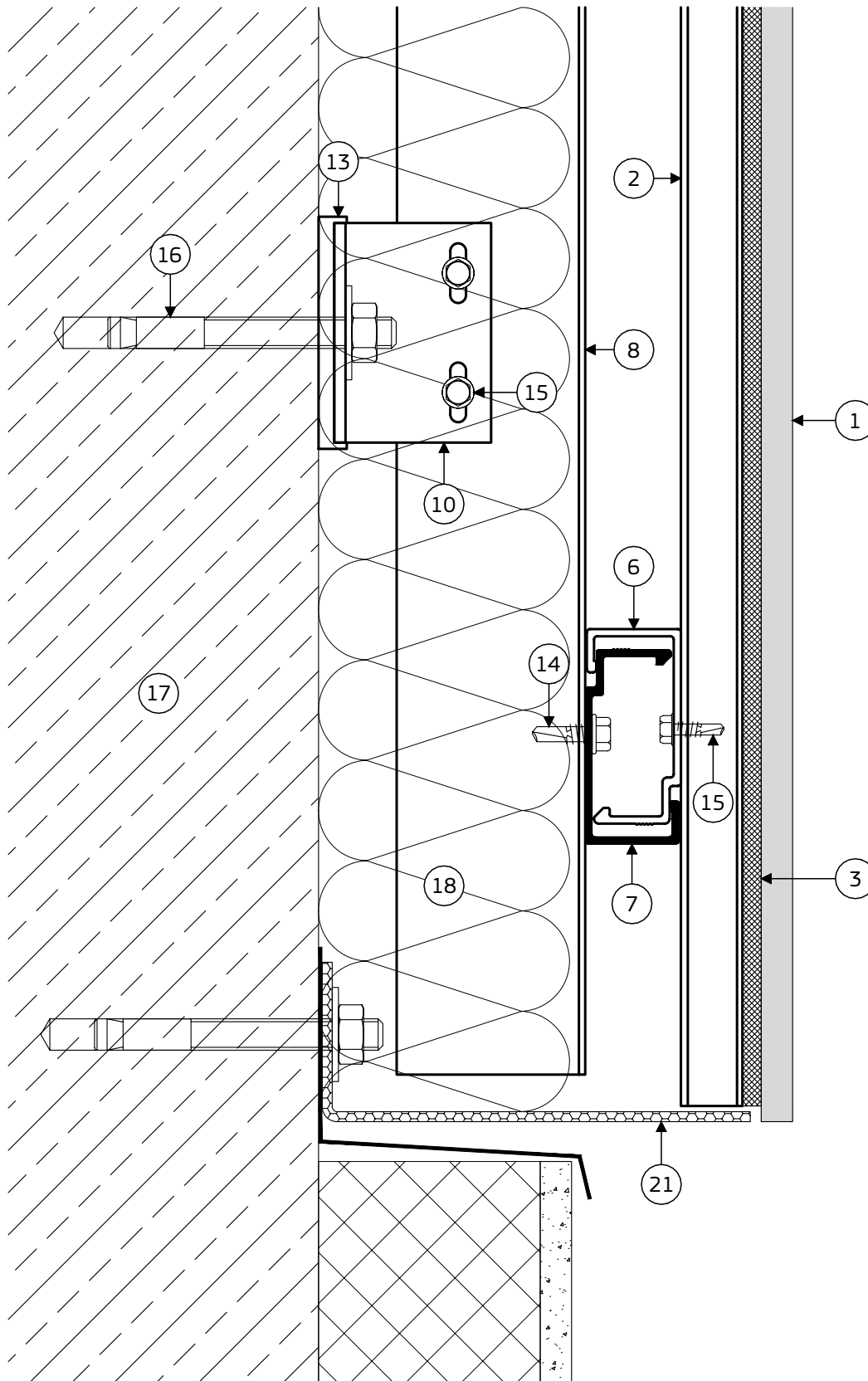
3.1 PLAN DETAIL - OUTSIDE CORNER



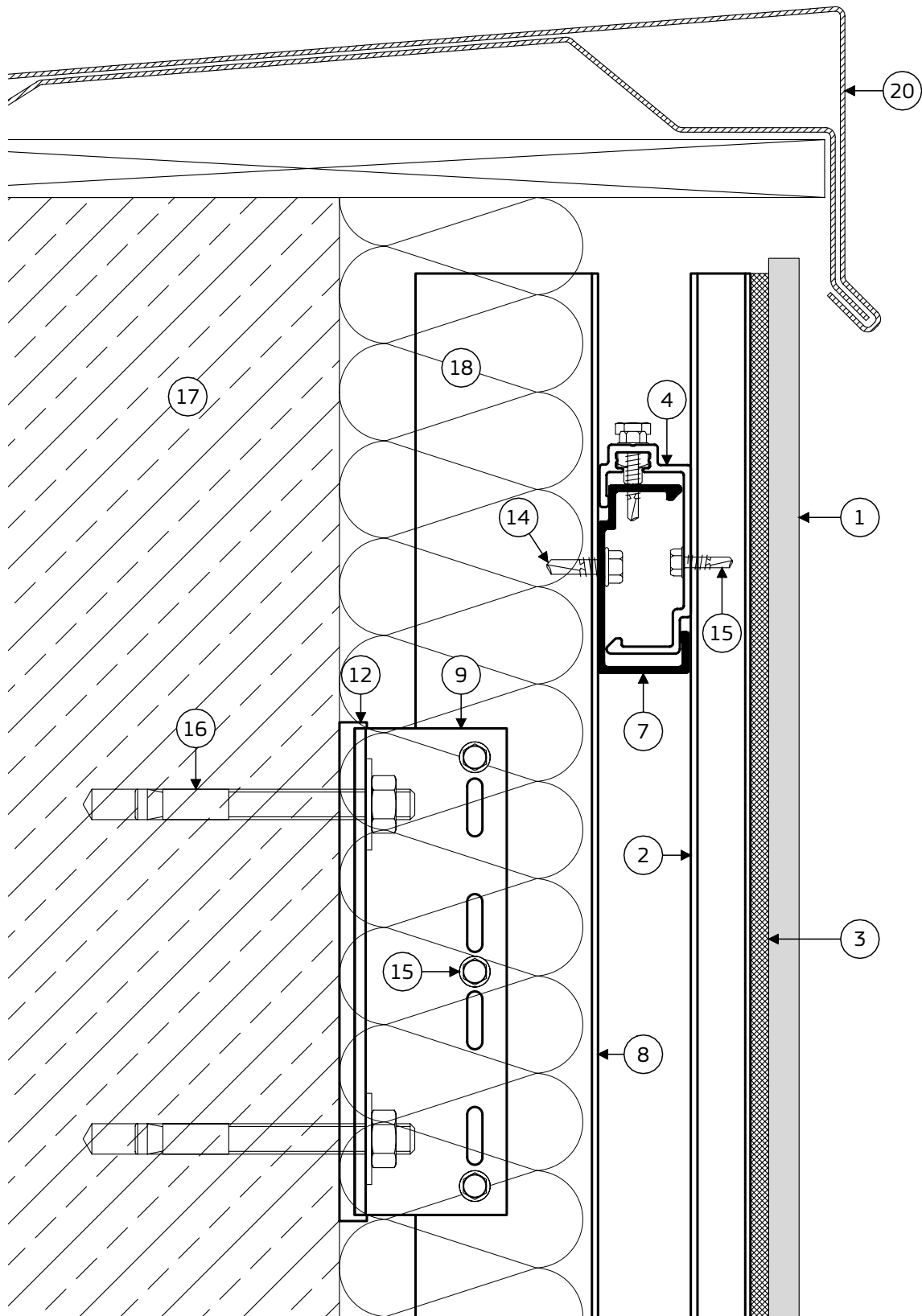
4.1 PLAN DETAIL - INSIDE CORNER



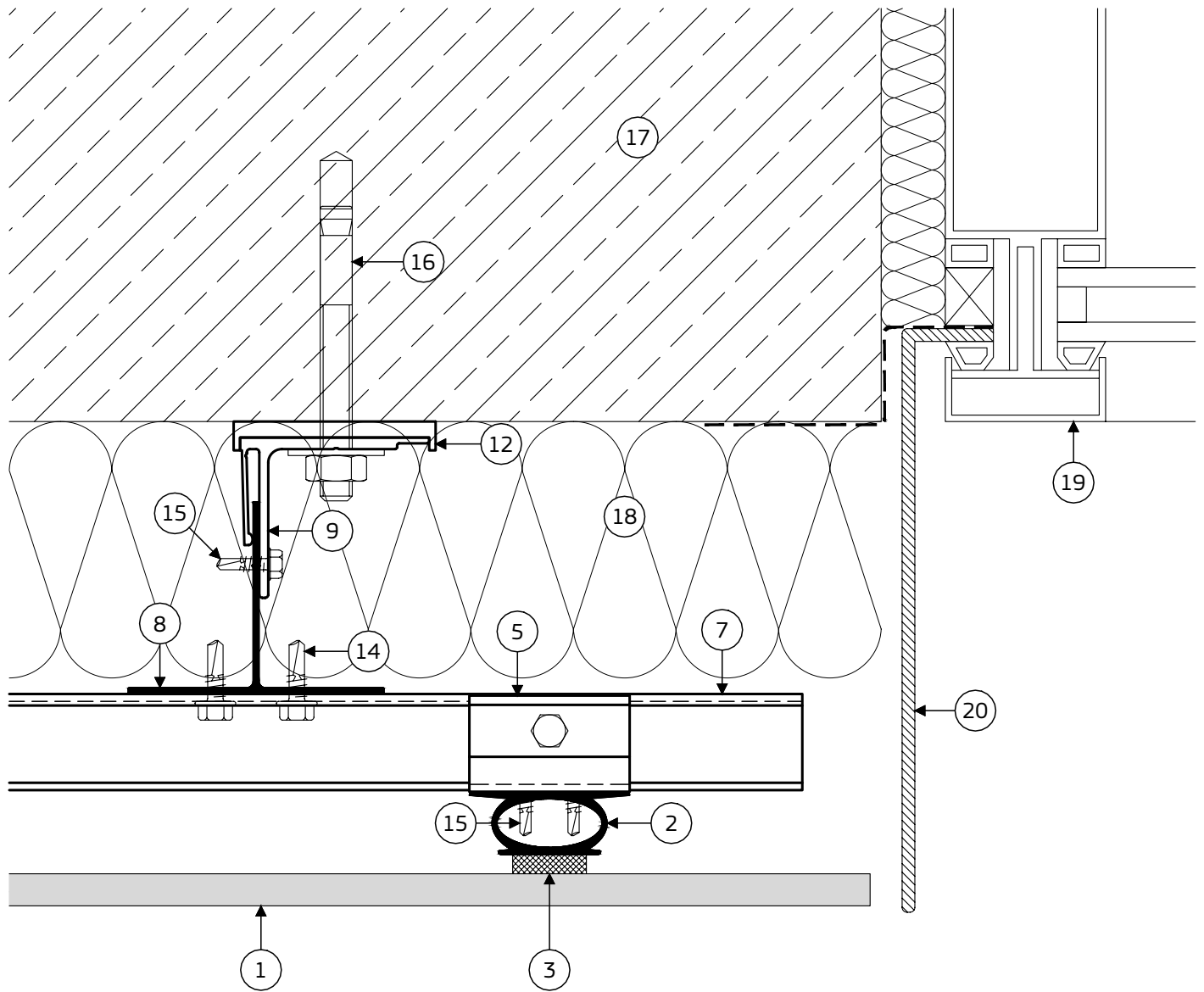
5.1 SECTION DETAIL - BASE



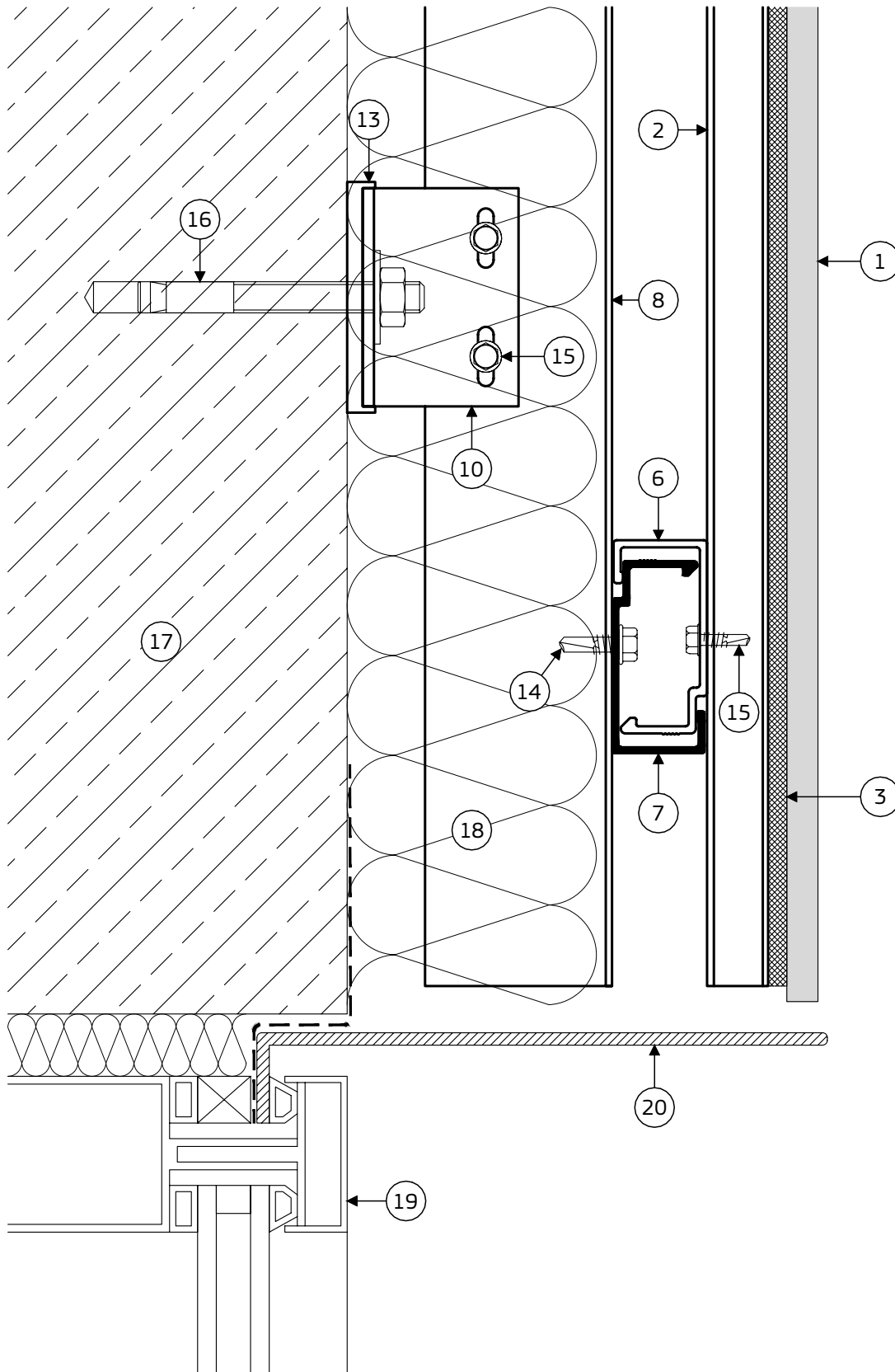
6.1 SECTION DETAIL - PARAPET



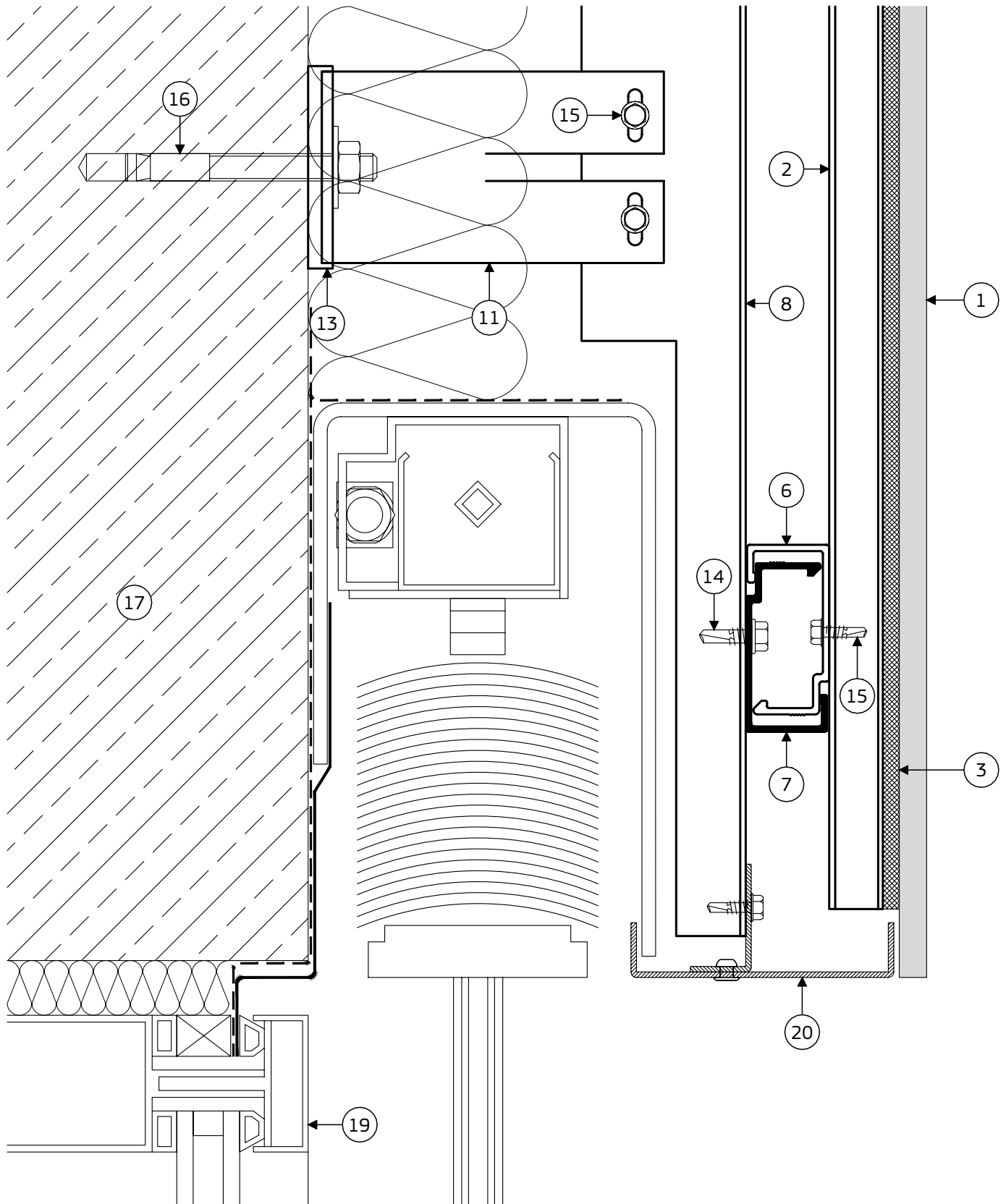
7.1 PLAN DETAIL - WINDOW JAMB



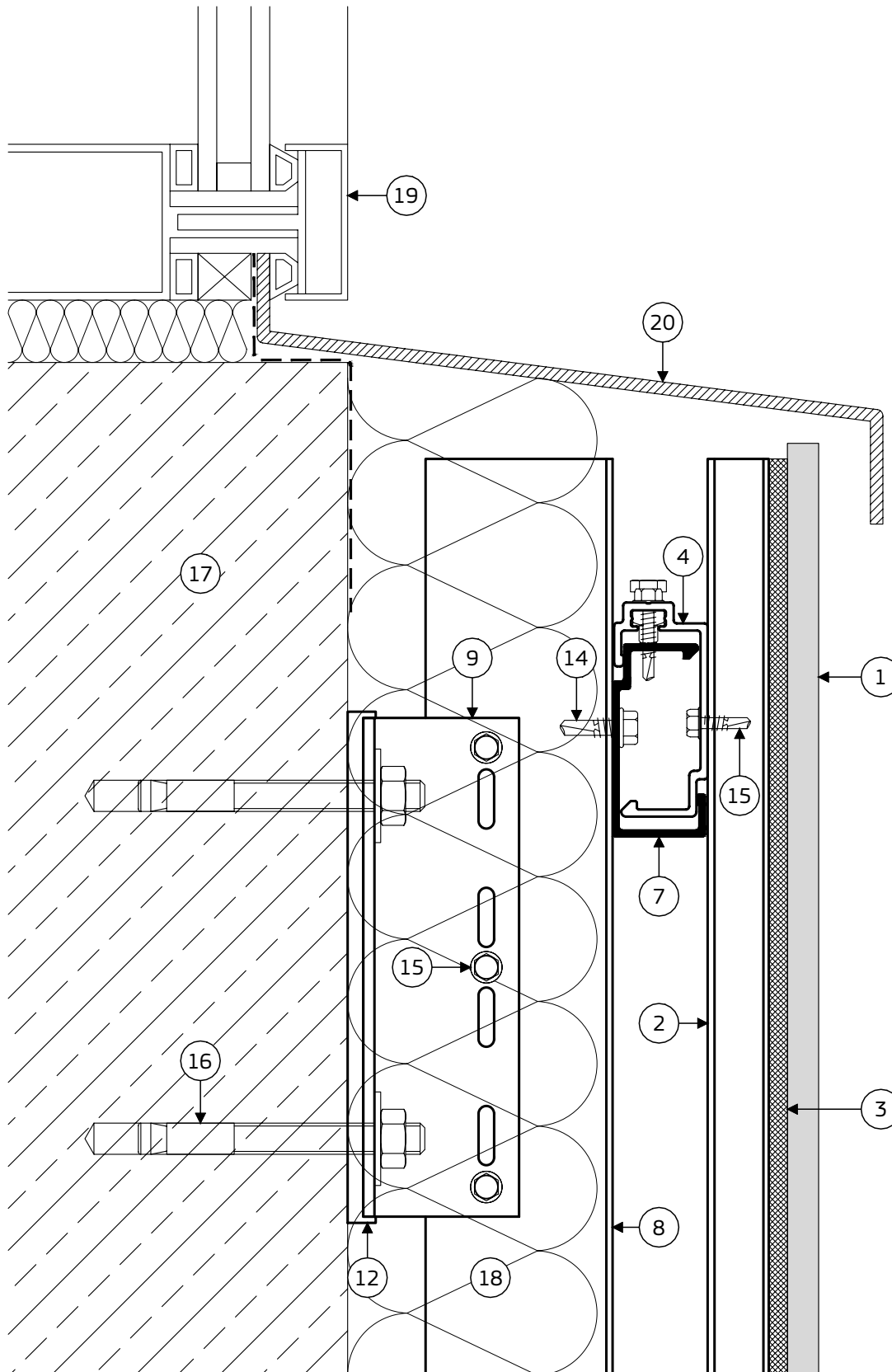
8.1 SECTION DETAIL - WINDOW HEAD



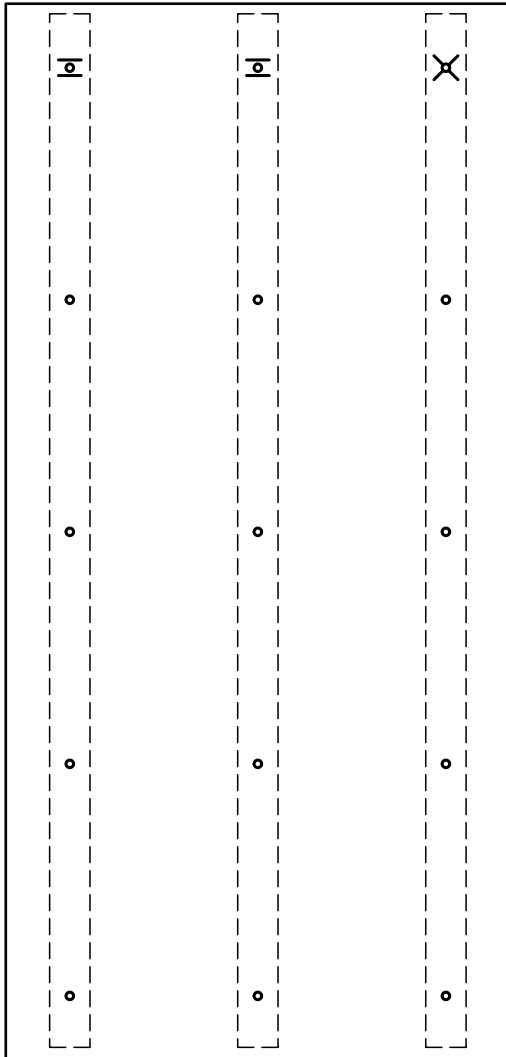
8.2 SECTION DETAIL - WINDOW HEAD



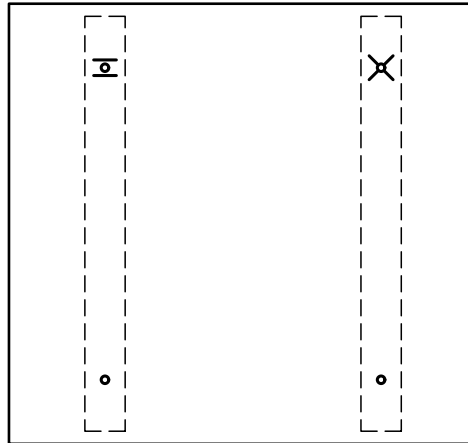
9.1 SECTION DETAIL - WINDOW SILL



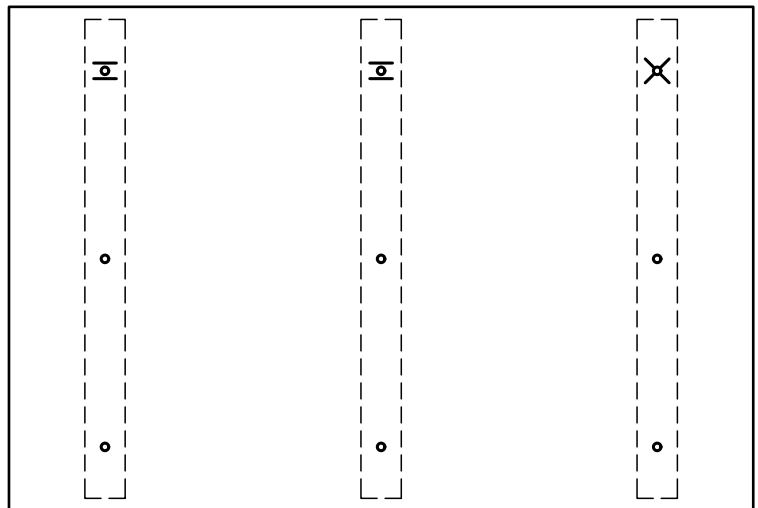
INSTALLATION DIAGRAMS



MULTI-SPAN PANEL



SINGLE-SPAN PANEL

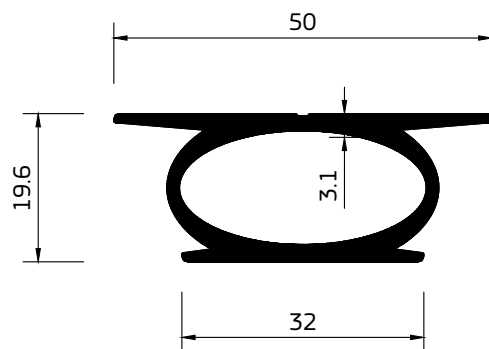


MULTI-SPAN PANEL

- ✕ Adjustable hanger fixed point (dead load support), one per panel
- ◡ Adjustable hanger sliding point (dead load support)
- Hanger sliding point (wind load support)

The diagrams are schematic.

SYSTEM COMPONENTS



Article No	Description	Finish	Material	Weight
06.9.xxx	vertical Q-CLOUD profile	unpainted	AW 6063 T66	756 g/m

xxx - profile length

Standard length 6000 mm.

Painted or anodized finishes on request.